

Product Catalogue

Technology creates a better life | Ver. 2024/2025



iTekniko[®]
Owned by **SINASIAN**

About us

Sieben Group is acknowledged as one leading developer, manufacturer and export of electronic and electrical products, from China, near to Ningbo and Shanghai ports, which makes us ideally and conveniently located for easily accessing to international transportation connections by land, air and sea.

Sieben Group has 3 wholly-owned subsidiaries, which are iTekniko Electronic, Sieben Electric and Sinoasian Technology, with the advanced equipments and production lines, the skilled workers and excellent R&D, managing and service teams, in order to provide the top quality products and perfect services to the customers.

Sieben Group takes the quality of the products and services as life. The products and designs have got more than 50 patents and related international certificates such as CE, CB, CQC, RoHS, ISO9001 and so on.

The main markets are Asia, Europe, America and Africa. The electronic and electrical solutions according to the customers' requirements are also be provided.

Sieben Group will consistently keep on developing new products and updating new technology in order to meet new challenges and satisfy the increasing requirements.



| | |
|---|------------|
| SMC1-63 Series | D1 |
| Din-rail Type AC Miniature Circuit Breaker | |
| SMC1-63PV Series | D2 |
| Din-rail Type DC Miniature Circuit Breaker | |
| SMC1-125 Series | D3 |
| Din-rail Type AC Miniature Circuit Breaker | |
| SMC1-125PV Series | D4 |
| Din-rail Type DC Miniature Circuit Breaker | |
| SMC2-63 Series | D5 |
| Din-rail Type AC Miniature Circuit Breaker | |
| SMC2-63PV Series | D6 |
| Din-rail Type DC Miniature Circuit Breaker | |
| SMD1-100 Series | D7 |
| Din-rail Type AC Switch-disconnector | |
| SRCO1-40 Series | D8 |
| Residual Current Circuit Breaker with Overload Protection | |
| SRC1-63 Series | D9 |
| Residual Current Circuit Breaker | |
| SK1 Series | D10 |
| AC Molded Case Circuit Breaker | |
| SK1 Series | D11 |
| Adjustable AC Molded Case Circuit Breaker | |
| SK1D Series | D12 |
| DC Molded Case Circuit Breaker | |
| SRC1 Series | D13 |
| Home AC Contactor | |
| SRC2 Series | D14 |
| AC Contactor | |
| SF Series | D15 |
| Fuse Link & Fuse Holder | |
| SPD1 Series | D16 |
| Surge Protective Device | |
| SD1 Series | D17 |
| Metal Distribution Box | |
| SD2 Series | D18 |
| Plastic Distribution Box | |
| SD3 Series | D19 |
| Plastic PV Combiner Box | |
| SD4 Series | D20 |
| Metal PV Combiner Box | |
| C Series | D21 |
| PV Connector | |

Specification

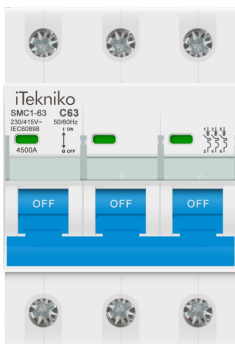
| | |
|----------------------------|--|
| Model code | SMC1-63 |
| Pole number | 1P, 2P, 1P+N, 3P, 4P, 3P+N |
| Rated voltage | 230/415V AC |
| Rated current | 1A/2A/3A/4A/6A/10A/16A/20A/25A/32A/40A/50A/63A |
| Curve type | B, C, D |
| Ultimate breaking capacity | 4.5kA |
| Rated frequency | 50/60Hz |
| Trip type | Thermo-magnetic |
| Energy limiting class | 3 |
| Impulse withstand voltage | 6.2kV |
| Mechanical life | 10000 times |
| Electrical life | 4000 times |
| Connection terminal | Screw terminal and pillar terminal with clamp |
| Connection capacity | Rigid conductor up to 25mm ² |
| Fastening torque | 2.0Nm |
| Aititude | <2000m |
| Temperature | -25°C-50°C |
| Relative humidity | <90% |
| Use environment | No obvious shock and vibration |
| Installation | 35mm symmetrical DIN rail |



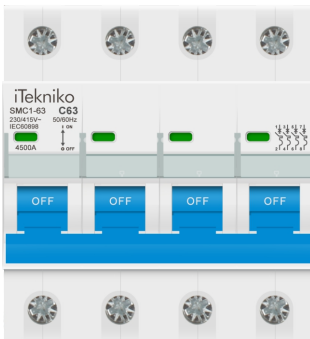
1P



2P

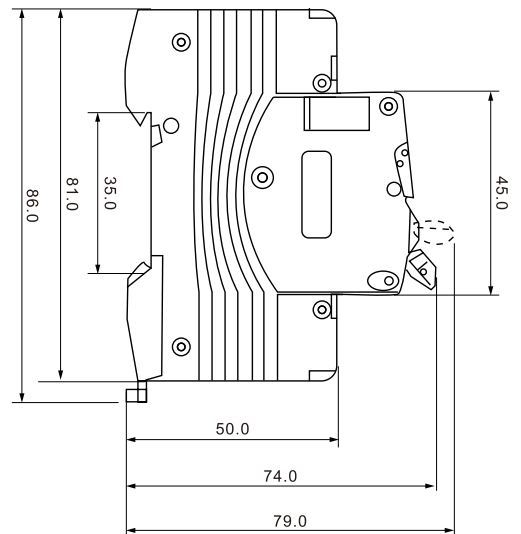
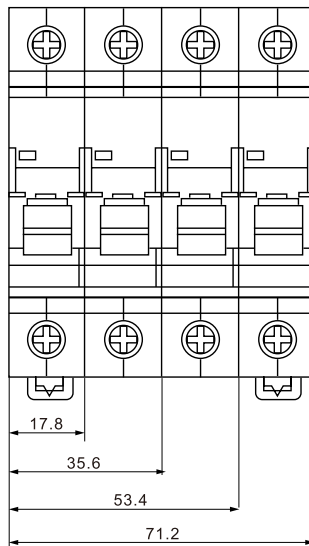


3P



4P

Overall dimensions



Specification

| | |
|----------------------------|--|
| Model code | SMC1-63PV |
| Pole number | 1P, 2P, 3P, 4P |
| Rated voltage | 1P: 250V, 2P: 500V, 3P: 750V, 4P: 1000V DC |
| Rated current | 1A/2A/3A/4A/6A/10A/16A/20A/25A/32A/40A/50A/63A |
| Curve type | B, C, D |
| Ultimate breaking capacity | 4.5kA |
| Rated frequency | 50/60Hz |
| Trip type | Thermo-magnetic |
| Energy limiting class | 3 |
| Impulse withstand voltage | 6.2kV |
| Mechanical life | 10000 times |
| Electrical life | 4000 times |
| Connection terminal | Screw terminal and pillar terminal with clamp |
| Connection capacity | Rigid conductor up to 25mm ² |
| Fastening torque | 2.0Nm |
| Altitude | <2000m |
| Temperature | -25°C-50°C |
| Relative humidity | <90% |
| Use environment | No obvious shock and vibration |
| Installation | 35mm symmetrical DIN rail |



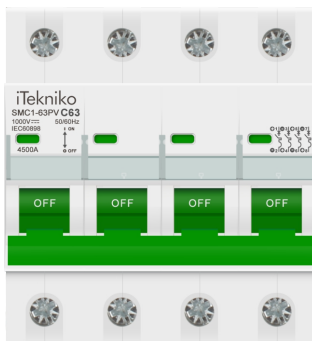
1P



2P

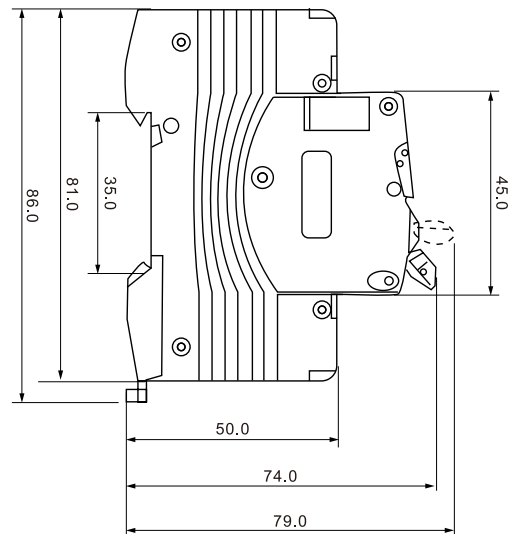
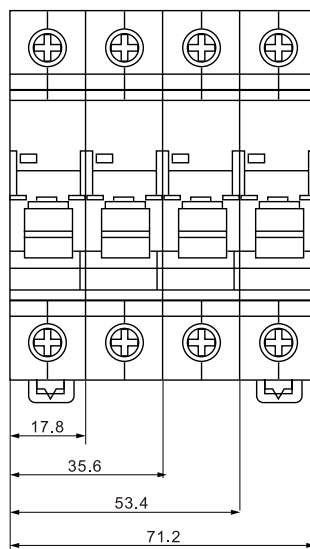


3P

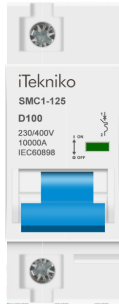


4P

Overall dimensions



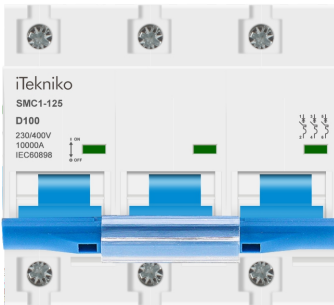
Specification



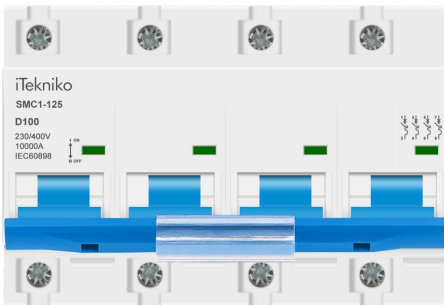
1P



2P



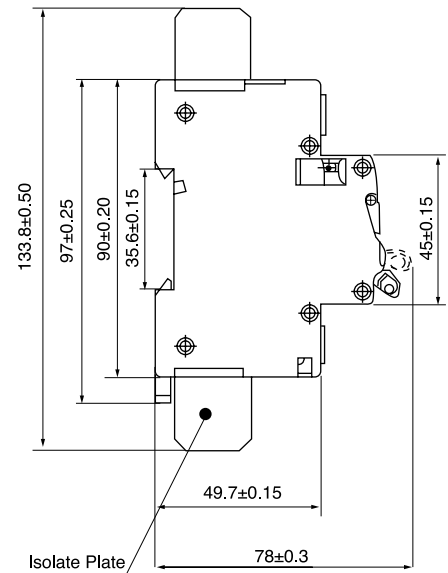
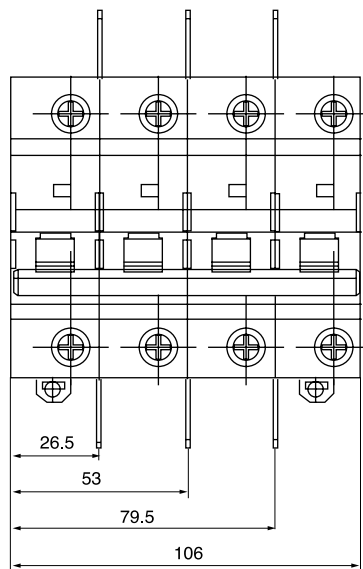
3P



4P

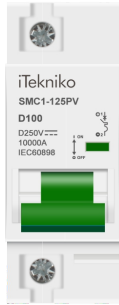
| | |
|----------------------------|--|
| Model code | SMC1-125 |
| Pole number | 1P, 2P, 1P+N, 3P, 4P, 3P+N |
| Rated voltage | 230/415V AC |
| Rated current | 80A/100A/125A |
| Curve type | C, D |
| Ultimate breaking capacity | 10kA |
| Rated frequency | 50/60Hz |
| Trip type | Thermo-magnetic |
| Energy limiting class | 3 |
| Impulse withstand voltage | 6.2kV |
| Mechanical life | 8500 times |
| Electrical life | 2500 times |
| Connection terminal | Screw terminal and pillar terminal with clamp |
| Connection capacity | Rigid conductor up to 50mm ² ; flexible conductor up to 35mm ² |
| Fastening torque | 2.0Nm |
| Altitude | <2000m |
| Temperature | -25°C-50°C |
| Relative humidity | <90% |
| Use environment | No obvious shock and vibration |
| Installation | 35mm symmetrical DIN rail |

Overall dimensions

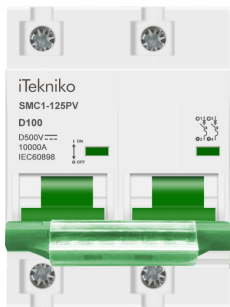


Specification

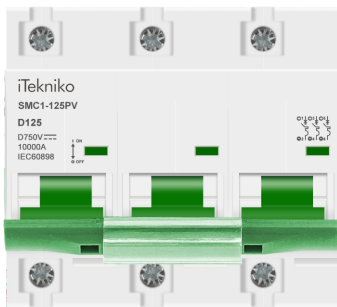
| | |
|----------------------------|--|
| Model code | SMC1-125PV |
| Pole number | 1P, 2P, 3P, 4P |
| Rated voltage | 1P: 250V, 2P: 500V, 3P: 750V, 4P: 1000V DC |
| Rated current | 80A/100A/125A |
| Curve type | C, D |
| Ultimate breaking capacity | 10kA |
| Rated frequency | 50/60Hz |
| Trip type | Thermo-magnetic |
| Energy limiting class | 3 |
| Impulse withstand voltage | 6.2kV |
| Mechanical life | 8500 times |
| Electrical life | 2500 times |
| Connection terminal | Screw terminal and pillar terminal with clamp |
| Connection capacity | Rigid conductor up to 50mm ² ; flexible conductor up to 35mm ² |
| Fastening torque | 2.0Nm |
| Aititude | <2000m |
| Temperature | -25°C-50°C |
| Relative humidity | <90% |
| Use environment | No obvious shock and vibration |
| Installation | 35mm symmetrical DIN rail |



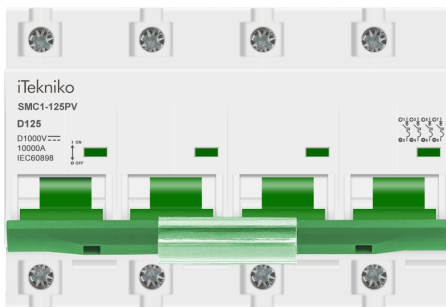
1P



2P

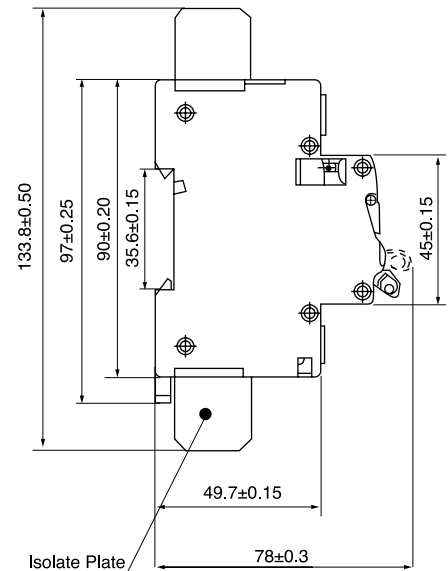
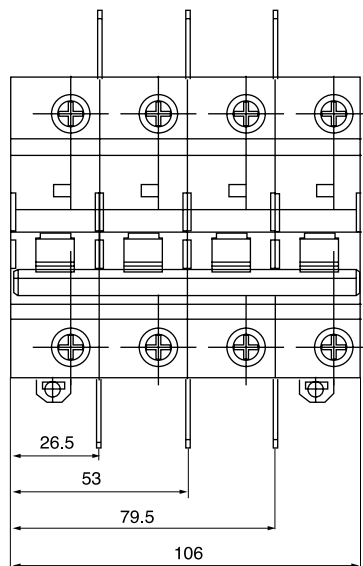


3P



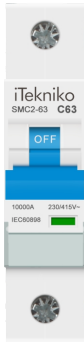
4P

Overall dimensions

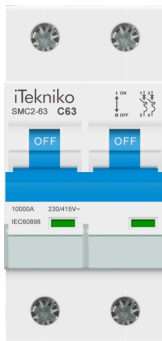


Specification

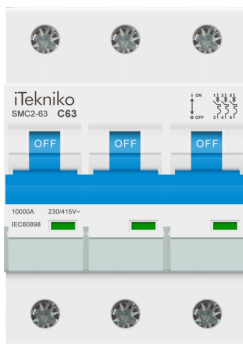
| | |
|----------------------------|--|
| Model code | SMC2-63 |
| Pole number | 1P, 2P, 1P+N, 3P, 4P, 3P+N |
| Rated voltage | 230/415V AC |
| Rated current | 1A/2A/3A/4A/6A/10A/16A/20A/25A/32A/40A/50A/63A |
| Curve type | B, C, D |
| Ultimate breaking capacity | 10kA |
| Rated frequency | 50/60Hz |
| Trip type | Thermo-magnetic |
| Energy limiting class | 3 |
| Impulse withstand voltage | 6.2kV |
| Mechanical life | 10000 times |
| Electrical life | 4000 times |
| Connection terminal | Screw terminal and pillar terminal with clamp |
| Connection capacity | Rigid conductor up to 25mm ² |
| Fastening torque | 2.0Nm |
| Aititude | <2000m |
| Temperature | -25°C-50°C |
| Relative humidity | <90% |
| Use environment | No obvious shock and vibration |
| Installation | 35mm symmetrical DIN rail |



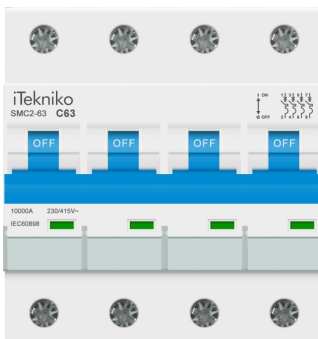
1P



2P

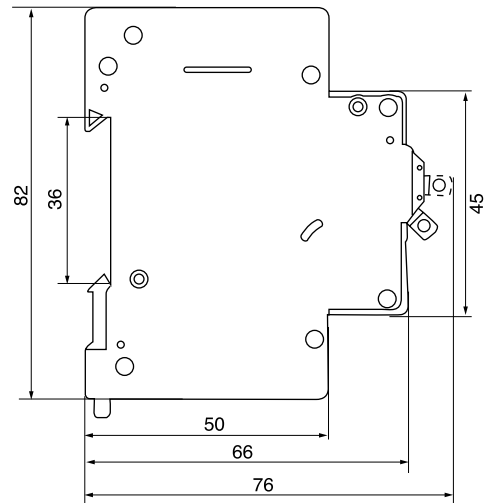
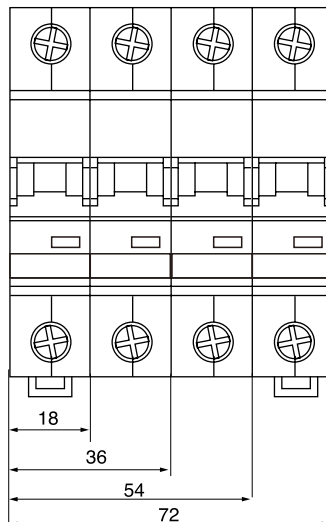


3P



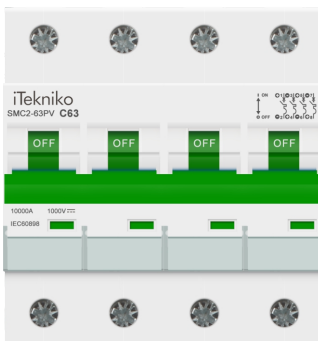
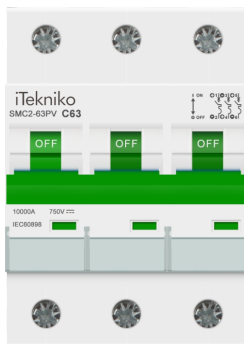
4P

Overall dimensions

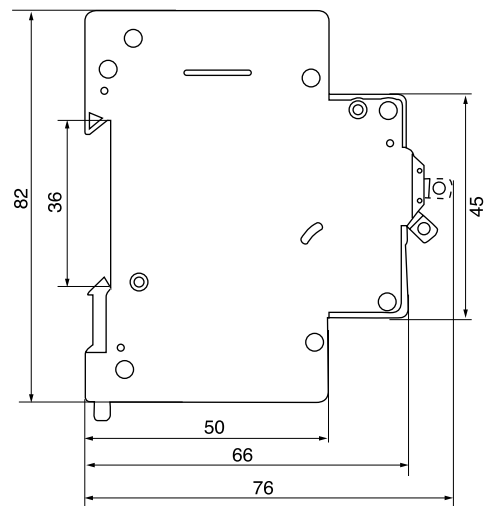
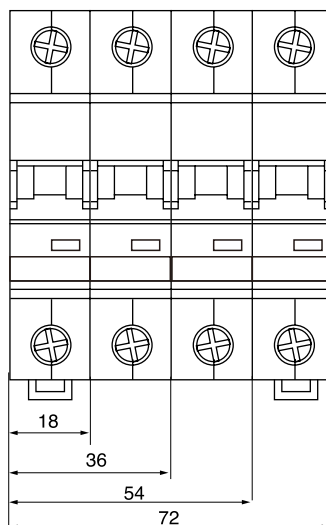


Specification

| | |
|----------------------------|--|
| Model code | SMC2-63PV |
| Pole number | 1P, 2P, 3P, 4P |
| Rated voltage | 1P: 250V, 2P: 500V, 3P: 750V, 4P: 1000V DC |
| Rated current | 1A/2A/3A/4A/6A/10A/16A/20A/25A/32A/40A/50A/63A |
| Curve type | B, C, D |
| Ultimate breaking capacity | 10kA |
| Rated frequency | 50/60Hz |
| Trip type | Thermo-magnetic |
| Energy limiting class | 3 |
| Impulse withstand voltage | 6.2kV |
| Mechanical life | 10000 times |
| Electrical life | 4000 times |
| Connection terminal | Screw terminal and pillar terminal with clamp |
| Connection capacity | Rigid conductor up to 25mm ² |
| Fastening torque | 2.0Nm |
| Aititude | <2000m |
| Temperature | -25°C-50°C |
| Relative humidity | <90% |
| Use environment | No obvious shock and vibration |
| Installation | 35mm symmetrical DIN rail |



Overall dimensions



Specification

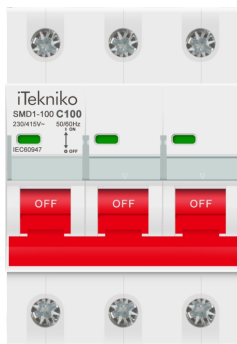
| | |
|---------------------------|---|
| Model code | SMD1-100 |
| Pole number | 1P, 2P, 3P, 4P |
| Rated voltage | 230/415V AC |
| Rated current | 63A/80A/100A |
| Rated frequency | 50/60Hz |
| Rated withstand current | 1500A within 1S |
| Electro-mechanical life | 10000 times |
| Connection capacity | Rigid conductor up to 35mm ² |
| Connection terminal | Screw terminal and pillar terminal with clamp |
| Impulse withstand voltage | 6.2kV |
| Fastening torque | 2.0Nm |
| Aititude | <2000m |
| Temperature | -25°C-50°C |
| Relative humidity | <90% |
| Use environment | No obvious shock and vibration |
| Installation | 35mm symmetrical DIN rail |



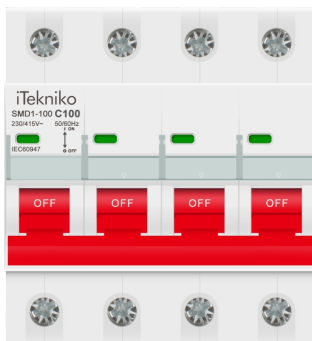
1P



2P

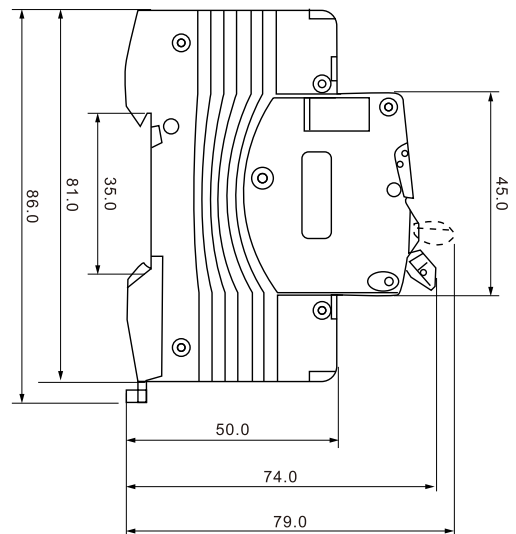
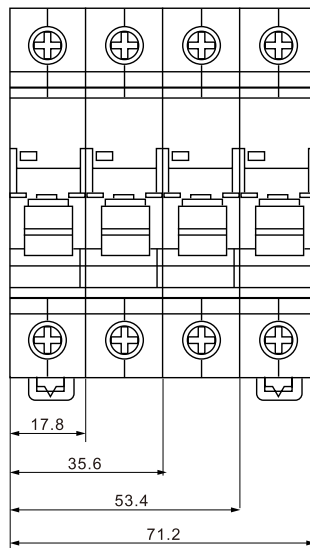


3P



4P

Overall dimensions

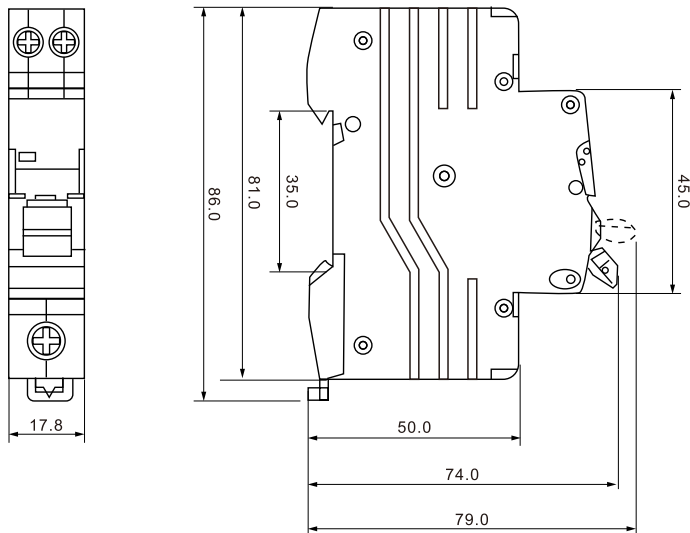




Specification

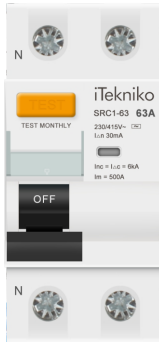
| | |
|---|---------------------------------------|
| Model code | SRCO1-40 |
| Pole number | 1P+N |
| Rated voltage | 240V/120V AC |
| Rated current | 5A/6A/10A/13A/16A/20A/25A/30A/32A/40A |
| Characteristics | A, AC |
| Ultimate breaking capacity | 240V: 4.5kA/6kA/10kA 120V: 1.5kA |
| Rated frequency | 50/60Hz |
| Residual current | 3mA/5mA/15mA/50mA/150mA |
| Energy limiting class | 3 |
| Impulse withstand voltage | 4kV |
| Mechanical life | >2000 times |
| Electrical life | >2000 times |
| Rated residual making & breaking capacity | 500A |
| Fastening torque | 2.0Nm |
| Aititude | <2000m |
| Temperature | -25°C-50°C |
| Relative humidity | <90% |
| Use environment | No obvious shock and vibration |
| Installation | 35mm symmetrical DIN rail |

Overall dimensions



Tripping sensitivity

- 10mA - Precision instrument leakage protection and bathroom use.
- 30mA - Additional protection against direct contact.
- 100mA - Co-ordinated with the earth system to provide against indirect contacts.
- 300mA/500mA - Protection against indirect contacts as well as hazard.



1P+N

Detective wave form

A class

Tripping is ensured for slowly increasing sinusoidal AC residual currents

AC class

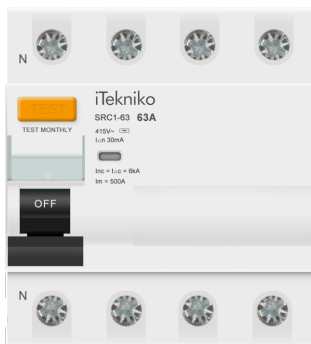
Tripping is ensured for sinusoidal AC residual currents and for pulsed DC residual currents, whether applied suddenly or increasing slowly

S, ASi class

Tripping is ensured not only for sinusoidal AC residual currents but also for pulsed DC residual currents whether applied suddenly or increasing slowly. S, ASi type with filters against spurious tripping caused by harmonics and transient surges. With the impact of 8/20μs surge 3000A, this high immunity RCCB will still be in stable status.

Specification

| | |
|----------------------------|--|
| Model code | SRC1-63 |
| Pole number | 1P+N, 3P+N |
| Rated voltage | 230/415V AC |
| Rated current | 16A/25A/32A/40A/63/80A/100A |
| Rated frequency | 50/60Hz |
| Rated sensitivity | 10mA/30mA/100mA/300mA/500mA |
| Insulation voltage | 415V |
| Wave form | A, AC, ASi, S |
| Pollution degree | 2 |
| Impulse withstand voltage | 4kV |
| Electrical life | >2000 times |
| Mechanical life | >2000 times |
| Fault current indicator | Yes |
| Terminal protection degree | IP20 |
| Connection capacity | Rigid conductor up to 25mm ² -35mm ² |
| Connection terminal | Screw terminal and pillar terminal with clamp |
| Fastening torque | 2.0Nm |
| Aititude | <2000m |
| Temperature | -25°C-50°C |
| Relative humidity | <90% |
| Use environment | No obvious shock and vibration |
| Installation | 35mm symmetrical DIN rail |



2P+N



1P

2P

3P

4P

Specification

| Model code | SK1-125 | SK1-250 | SK1-400 | SK1-630 |
|--|-----------------------------------|----------------------------------|----------------------|---------|
| Pole number | 1P, 2P, 3P, 4P | | 3P, 4P | |
| Rated current | 16/20/25/32/40/63/80/ 100/125A | 100/125/150/175/200/ 225/250A | 250/300/315/350/400A | |
| Rated operating voltage Ue | 415V AC | | | |
| Rated insulated voltage Ui | 800V AC | | | |
| Rated impulse withstand voltage Uimp | 8kV | | | |
| Types | M | H | M | H |
| Ultimate breaking capacity kA RMS Icu | | | | |
| 220V/240V | 25 | 38 | 35 | 50 |
| 380V/400V | 15 | 25 | 25 | 35 |
| 415V | 15 | 25 | 25 | 35 |
| 550V | 10 | 10 | 10 | 20 |
| Rated service breaking capacity kA RMS Icu | | | | |
| 220V/240V | 15 | 18 | 18 | 25 |
| 380V/400V | 7.5 | 15 | 15 | 18 |
| 415V | 7.5 | 15 | 15 | 18 |
| 550V | 5 | 5 | 5 | 10 |
| Type of trip unit | Thermo-magnetic | | | |
| Magnetic trip range | 400A | | | |
| Utilization category | A | | | |
| Mechanical life | 10000 times | | | |
| Electrical life | 4000 times | | | |
| Connection | Front connection | | | |
| Mounting | Screw fixing | | | |
| Standard | IEC 60947-2 | | | |



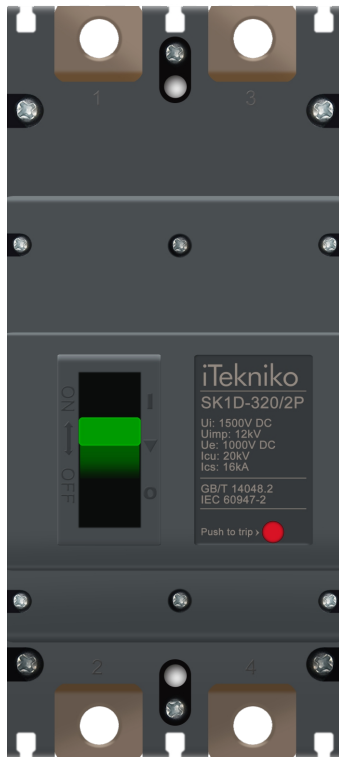
2P

3P

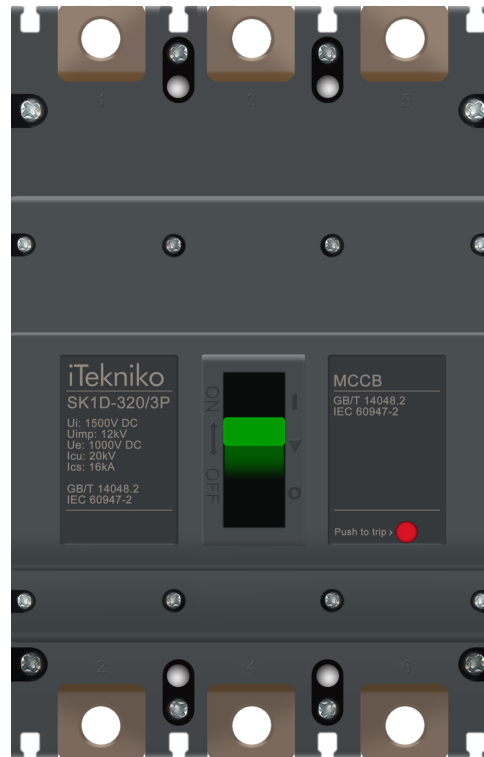
4P

Specification

| | | |
|--|-------------------------------|----|
| Model code | SK1-125 | |
| Pole number | 2P, 3P, 4P | |
| Rated current | 16/20/25/32/40/63/80/100/125A | |
| Rated operating voltage Ue | 415V AC | |
| Rated insulated voltage Ui | 800V AC | |
| Rated impulse withstand voltage Uimp | 8kV | |
| Types | M | H |
| Ultimate breaking capacity kA RMS Icu | | |
| 220V/240V | 25 | 38 |
| 380V/400V | 15 | 25 |
| 415V | 15 | 25 |
| 550V | 10 | 10 |
| Rated service breaking capacity kA RMS Icu | | |
| 220V/240V | 15 | 18 |
| 380V/400V | 7.5 | 15 |
| 415V | 7.5 | 15 |
| 550V | 5 | 5 |
| Type of trip unit | Thermo-magnetic | |
| Magnetic trip range | 400A | |
| Utilization category | A | |
| Mechanical life | 10000 times | |
| Electrical life | 4000 times | |
| Connection | Front connection | |
| Mounting | Screw fixing | |
| Standard | IEC 60947-2 | |



2P

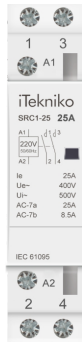


3P

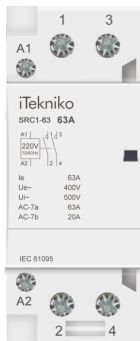
Specification

| | |
|--|---|
| Model code | SK1D-320 |
| Pole number | 2P, 3P |
| Rated current | 16/20/25/32/40/63/80/100/125/140/180/200/225/250/300/320A |
| Rated operating voltage Ue | 1000V DC |
| Rated insulated voltage Ui | 1500V DC |
| Rated impulse withstand voltage Uimp | 12kV |
| Types | H |
| Ultimate breaking capacity kA RMS Icu | |
| 1000V DC | 20 |
| Rated service breaking capacity kA RMS Icu | |
| 1000V DC | 16 |
| Type of trip unit | Thermo-magnetic |
| Magnetic trip range | 400A |
| Utilization category | A |
| Mechanical life | 10000 times |
| Electrical life | 3000 times |
| Connection | Front connection |
| Mounting | Screw fixing |
| Standard | IEC 60947-2 |

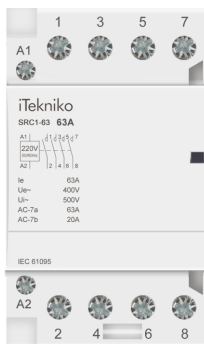
Specification



2P 25A



2P 63A



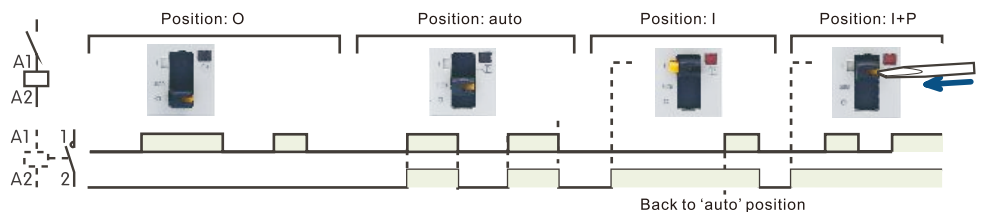
4P 63A



2P 100A

| SRC1 AC Contactor 50/60Hz Type | Rated current | | Control voltage V AC 50/60Hz | Contacts |
|-----------------------------------|---------------|-------|---------------------------------|----------------------------|
| | AC-7a | AC-7b | | |
| 1P | 16A | 6A | 24/110/230 | 1NO 1NC |
| | 20A | 7A | | |
| | 25A | 9A | | |
| 2P | 16A | 6A | 24/110/230 | 2NO 2NC 1NO+1NC |
| | 20A | 7A | | |
| | 25A | 9A | | |
| | 32A | 12A | | |
| | 40A | 18A | | |
| | 63A | 25A | | |
| 3P | 16A | 6A | 24/110/230 | 2NO |
| | 20A | 7A | | |
| | 25A | 9A | | |
| | 32A | 12A | | |
| | 40A | 18A | | |
| | 63A | 25A | | |
| 4P | 16A | 6A | 24/110/230 | 4NO 2NO+2NC 4NC 3NO+1NC |
| | 20A | 7A | | |
| | 25A | 9A | | |
| | 32A | 12A | | |
| | 40A | 18A | | |
| | 63A | 25A | | |
| 100A | - | | 4NO | |

| SRC1M AC Contactor 50/60Hz Manual type | Rated current | | Control voltage V AC 50/60Hz | Contacts |
|---|---------------|-------|---------------------------------|----------------------------|
| | AC-7a | AC-7b | | |
| 2P | 16A | 6A | 24/110/230 | 2NO 2NC 1NO+1NC |
| | 20A | 7A | | |
| | 25A | 9A | | |
| | 32A | 12A | | |
| | 40A | 18A | | |
| 4P | 16A | 6A | 24/110/230 | 4NO 2NO+2NC 4NC 3NO+1NC |
| | 20A | 7A | | |
| | 25A | 9A | | |
| | 32A | 12A | | |
| | 40A | 18A | | |
| 63A | 25A | | | |





SRC2-D



SRC2-F

Specification

| Model code | Rated current | | Max power ratings of 3-phase motors in AC3 (kW) | | | | | | |
|--------------|---------------|------|---|----------|------|------|------|----------|-------|
| | AC3 | AC4 | 220/230V | 380/400V | 415V | 440V | 500V | 660/690V | 1000V |
| SRC2-D09 | 9 | 3.5 | 2.2 | 4 | 4 | | 5.5 | 5.5 | |
| SRC2-D12 | 12 | 5 | 3 | 5.5 | 5.5 | | 7.5 | 7.5 | |
| SRC2-D18 | 18 | 7.7 | 4 | 7.5 | 9 | | 10 | 10 | |
| SRC2-D25 | 25 | 8.5 | 5.5 | 11 | 11 | | 15 | 15 | |
| SRC2-D32 | 32 | 12 | 7.5 | 15 | 15 | | 18.5 | 18.5 | |
| SRC2-D40 | 40 | 18.5 | 11 | 18.5 | 22 | | 22 | 30 | |
| SRC2-D50 | 50 | 24 | 15 | 22 | 25 | | 30 | 33 | |
| SRC2-D65 | 65 | 28 | 18.5 | 30 | 37 | | 37 | 37 | |
| SRC2-D80 | 80 | 37 | 22 | 37 | 45 | | 55 | 55 | |
| SRC2-D95 | 95 | 44 | 25 | 45 | 45 | | 55 | 55 | |
| SRC2-D115 | 115 | 52 | 30 | 55 | 59 | | 75 | 80 | |
| SRC2-D150 | 150 | 60 | 40 | 75 | 80 | | 90 | 100 | |
| SRC2-D170 | 170 | 75 | 55 | 90 | 100 | | 110 | 110 | |
| SRC2-D205 | 205 | 85 | 63 | 110 | 110 | | 129 | 129 | |
| SRC2-D245 | 245 | 105 | 75 | 132 | 132 | | 160 | 160 | |
| SRC2-D300 | 300 | 117 | 100 | 160 | 180 | | 200 | 220 | |
| SRC2-D410 | 410 | 138 | 110 | 220 | 220 | | 250 | 280 | |
| SRC2-D475 | 475 | 147 | 147 | 265 | 280 | | 355 | 355 | |
| SRC2-D620 | 620 | 180 | 200 | 335 | 375 | | 400 | 450 | |
| SRC2-F115(4) | 115 | | 30 | 55 | 59 | 59 | 75 | 80 | 65 |
| SRC2-F150(4) | 150 | | 40 | 75 | 80 | 80 | 90 | 100 | 65 |
| SRC2-F185(4) | 185 | | 55 | 90 | 100 | 100 | 110 | 110 | 100 |
| SRC2-F225(4) | 225 | | 63 | 110 | 110 | 110 | 130 | 129 | 100 |
| SRC2-F265(4) | 265 | | 75 | 132 | 140 | 140 | 160 | 160 | 147 |
| SRC2-F330(4) | 330 | | 100 | 160 | 180 | 180 | 200 | 220 | 160 |
| SRC2-F400(4) | 400 | | 110 | 200 | 220 | 220 | 257 | 280 | 185 |
| SRC2-F500(4) | 500 | | 147 | 250 | 280 | 280 | 355 | 335 | 335 |
| SRC2-F630(4) | 630 | | 200 | 335 | 375 | 375 | 400 | 450 | 450 |
| SRC2-F780(4) | 780 | | 220 | 400 | 425 | 425 | 450 | 475 | 450 |
| SRC2-F800(4) | 800 | | 250 | 450 | 450 | 450 | 450 | 475 | 450 |



SFPV-30/32(L) DC fuse link

| Model (Fast gPV) | Rated voltage | Rated current | Overall dimension |
|------------------|---------------|---------------|-------------------|
| SFPV-30 | 1000VDC | 1-30A | Φ10X38 |
| SFPV-32 | 1500VDC | 1-32A | Φ10X65 |

SFPV-30D(N) DC fuse holder

| Model | Rated voltage | Rated current | Matching fuse | Overall dimension |
|-----------|---------------|---------------|---------------|-------------------|
| SFPV-30DN | 1000VDC | 30A | Φ10X38 | 73X61X18 |
| SFPV-32D | 1500VDC | 32A | Φ10X65 | 101X64X18 |

SF-30/63(S) AC fuse link

| Model (Common gG) | Model (Fast aR) | Rated voltage | Rated current | Overall dimension |
|-------------------|-----------------|---------------|---------------|-------------------|
| SF-32 | SF-32S | 380/500VAC | 0.5-32A | Φ10X38 |
| SF-63 | SF-63S | 380/500VAC | 1-63A | Φ14X51 |

SF-32/63(X) AC fuse holder

| Model | Rated voltage | Rated current | Matching fuse | Overall dimension |
|----------|---------------|---------------|---------------|-------------------|
| SF-32(X) | 380/500VAC | 32A | Φ10X38 | 72.6X61X17.5 |
| SF-63(X) | 380/500VAC | 63A | Φ14X51 | 93.6X70.5X24.5 |

Features

- Three-phase protection for TN-S system
- Plug module, easy for installation and maintenance
- High discharge capacity, quick response
- OBO or shield structure protective cores
- Double thermal disconnection devices, providing more reliable protection
- Green window will change when fault happens and also provide remote alarm control at the same time



1P

2P



3P



4P



2P DC

3P DC

Specification for AC SPD

| | |
|---|---------------------------|
| Model code | SPD1-40AC |
| Pole number | 1P, 2P, 3P, 4P |
| Rated voltage (Max continuous voltage) Uc | 385V~ |
| Nominal discharge current (8/20μs) In | 20kA |
| Max discharge current (8/20μs) Imax | 40kA |
| Voltage protection level Up | 1.8kV |
| Response time | 25ns |
| Max back up fuse | 125A gL/gG |
| Switching capacity | AC: 250V/0.5A |
| Indication window | Yes |
| Installation | 35mm symmetrical DIN rail |

Specification for DC SPD

| | |
|---|--------------------------------|
| Model code | SPD1-40DC |
| Pole number | 2P, 3P |
| Rated voltage (Max continuous voltage) Uc | 2P: 550V, 3P: 1000V DC |
| Nominal discharge current (8/20μs) In | 20kA |
| Max discharge current (8/20μs) Imax | 40kA |
| Voltage protection level Up | 3.6kV |
| Response time | 25ns |
| SPD to EN/IEC 61643-11 | Type 2 |
| Switching capacity | 250V/0.1A, 125V/0.2A, 75V/0.5A |
| Indication window | Yes |
| Installation | 35mm symmetrical DIN rail |

Features



Single phase

- Made out of high quality electro-galvanized steel sheet of 0.8-1.2mm thickness.
- Matt-finish polyester powder coated paint.
- Knockouts provided on the enclosures.
- Accept all types of din-rail circuit breakers.
- Suitable for single phase and three phase, 230/400V AC, rated current up to 125A.
- Wilder enclosure offers easy wiring and excellent heat dissipation.
- Adjustable mounting din rail plate.

Specification

Single phase

| Model code | SD1-104M | SD1-104MR | SD1-106M | SD1-106MR |
|---------------|----------|-----------|----------|-----------|
| MCB ways | 4 | 4 | 6 | 6 |
| Isolator ways | 2 | 2 | 2 | 2 |
| RCCB ways | - | 2 | - | 2 |

| Model code | SD1-108M | SD1-108MR | SD1-112M | SD1-112MR |
|---------------|----------|-----------|----------|-----------|
| MCB ways | 8 | 8 | 12 | 12 |
| Isolator ways | 2 | 2 | 2 | 2 |
| RCCB ways | - | 2 | - | 2 |

Three phase

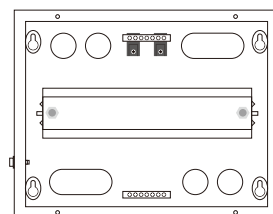
| Model code | SD1-304M(H) | SD1-304MR(H) | SD1-306M(H) | SD1-306MR(H) |
|---------------|-------------|--------------|-------------|--------------|
| MCB ways | 12 | 12 | 18 | 18 |
| Isolator ways | 3 or 4 | 3 or 4 | 3 or 4 | 3 or 4 |
| RCCB ways | - | 4 | - | 4 |

| Model code | SD1-308M | SD1-308MR | SD1-312M | SD1-312MR |
|---------------|----------|-----------|----------|-----------|
| MCB ways | 24 | 24 | 36 | 36 |
| Isolator ways | 3 or 4 | 3 or 4 | 3 or 4 | 3 or 4 |
| RCCB ways | - | 4 | - | 4 |

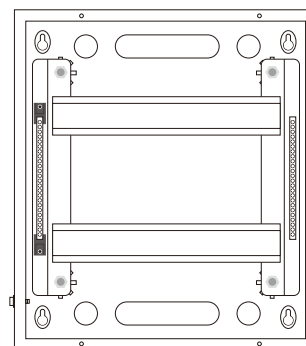


Three phase

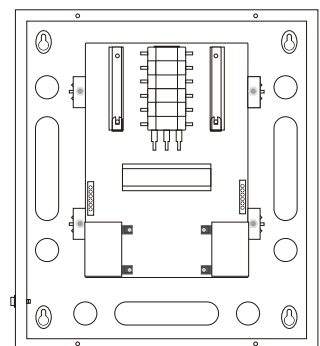
Internal drawings



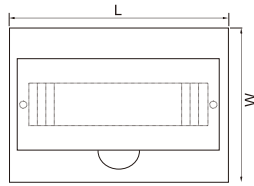
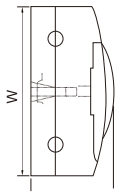
Single phase



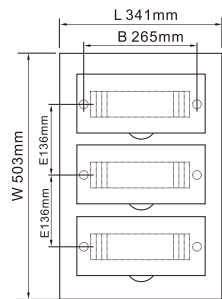
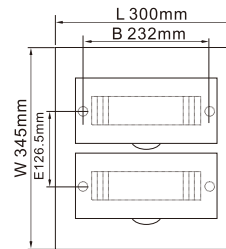
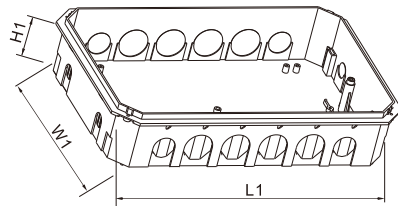
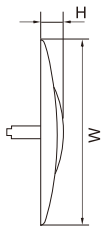
Three phase (Horizontal)



Three phase (Vertical)



| Model code | L | W | H |
|------------|-----|-----|-----|
| SD1-04S | 112 | 200 | 95 |
| SD1-06S | 148 | 200 | 95 |
| SD1-08S | 184 | 200 | 95 |
| SD1-10S | 222 | 200 | 95 |
| SD1-12S | 256 | 200 | 95 |
| SD1-15S | 310 | 200 | 95 |
| SD1-18S | 365 | 222 | 95 |
| SD1-24S | 271 | 325 | 97 |
| SD1-36S | 271 | 462 | 100 |



| Model code | L1 | W1 | H1 | L | W | H |
|------------|-----|-----|----|-----|-----|----|
| SD1-04S | 115 | 197 | 60 | 136 | 222 | 27 |
| SD1-06S | 148 | 197 | 60 | 170 | 222 | 27 |
| SD1-08S | 184 | 197 | 60 | 207 | 222 | 27 |
| SD1-10S | 222 | 197 | 60 | 243 | 222 | 27 |
| SD1-12S | 258 | 197 | 60 | 279 | 222 | 27 |
| SD1-15S | 310 | 197 | 60 | 334 | 222 | 27 |
| SD1-18S | 365 | 197 | 60 | 398 | 251 | 27 |
| SD1-24S | 258 | 197 | 60 | 300 | 345 | 27 |
| SD1-36S | 258 | 197 | 60 | 300 | 484 | 27 |

Specification



SD3-PV



SD3-PV



SD3-PV

| Model code | SD3/2-1PV | SD3/2-2PV | SD3/2-3PV | SD3/2-4PV |
|----------------------------|---|----------------------------|---------------------------|----------------------------|
| Basic parameters | | | | |
| DC input/output string | 1 string | 2 string | 3 string | 4 string |
| Max DC input voltage | 600V | | 1000V | |
| Max DC output current | 32A | | | |
| Rated AC voltage | 220/230/240V AC | | 380/400/415V AC | |
| Rated AC current | 13.6/16A | 27.3/32A | 15.2/20A | 30.2/40A |
| Rated frequency | 50/60Hz | | | |
| Options | Meter/AC fuse/Voltage protector/DC monitoring/AC ELCB | | | |
| Enclosure | | | | |
| Material | PC+ABS | | 2 | |
| Anti-UV | Yes | | | |
| Grade of protection | IP65 | | | |
| Collision protection | IK10 | | | |
| DC input/output port | PG9, 2.5-4mm ² | | | |
| AC input/output port | PG9, 2.5-6mm ² | PG9, 2.5-10mm ² | PG9, 2.5-6mm ² | PG9, 2.5-10mm ² |
| DC isolated switch | | | | |
| Insulation voltage | 600V | | 1000V | |
| Rated current | 32A | | | |
| Classification | DC-PV1/DC-PV2 | | | |
| Executive standard | IEC/EN 60947-3, UL508I | | | |
| DC surge protection | | | | |
| Max working voltage | 1000V | | | |
| Max discharge current | 10kA | | | |
| Executive standard | EN 50539-11 type 2 | | | |
| DC fuse | | | | |
| Rated working voltage | 1000V | | | |
| Rated current | 15-32A (Optional) | | | |
| Dimension | Φ 10X38 | | | |
| AC surge protection | | | | |
| Rated voltage | 230V AC | | 400V AC | |
| Max discharge current | 40kA | | | |
| Executive standard | IEC/EN 61643-11 | | | |
| AC circuit breaker | | | | |
| Pole number | 1P/2P | | 3P/4P | |
| Rated current | 16A | 32A | 20A | 40A |
| Rated voltage | 220/230/240V AC | | 380/400/415V AC | |

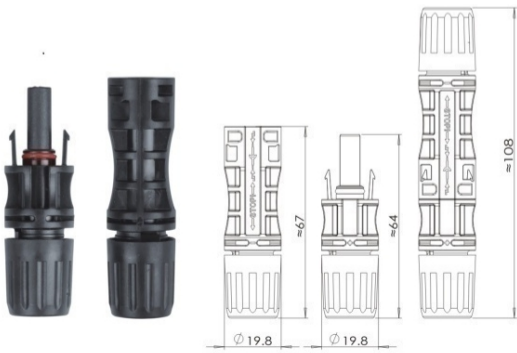
Note: The configuration is customizable



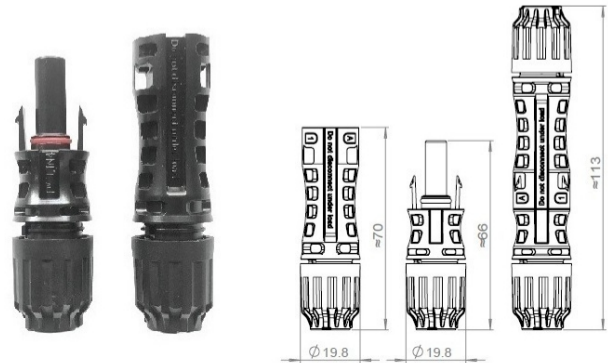
Specification

| Model code | SD4-4/1PV | SD4-6/1PV | SD4-12/1PV | SD4-16/1PV | SD4-24/1PV |
|--------------------------------|---|-----------|------------|------------|------------|
| Electrical parameters | | | | | |
| Max. DC voltage | 1500V | | | | |
| Max input current per channel | 4 | 6 | 12 | 16 | 24 |
| Max input channel number | 63A | 100A | 160A | 200A | 400A |
| Inverter MPPT number | N | | | | |
| Output channel number | 1 | | | | |
| Lightning protection | | | | | |
| Test category | II pole protection | | | | |
| Discharge current | 20/40kA | | | | |
| Voltage protection level | 3.8kV | | | | |
| Max continuous operate voltage | 1500V | | | | |
| Pole number | 3P | | | | |
| System | | | | | |
| Grade of protection | IP65 | | | | |
| Output switch | DC circuit breaker (Standard) / DC rotary isolating switch (Optional) | | | | |
| Standard components | Waterproof connector, DC fuse, DC SPD | | | | |
| Optional components | Monitoring module, anti-reserve diode | | | | |
| Box material | Metal | | | | |

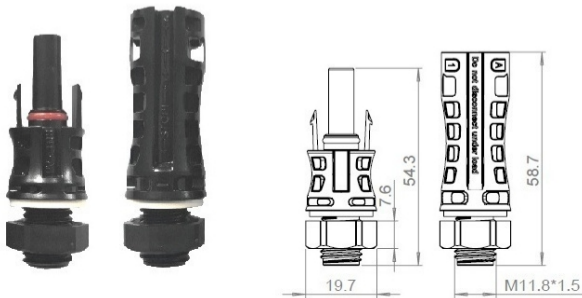
Note: The configuration is customizable



CM5(30A), CM5-1(50/60A) 1500V DC



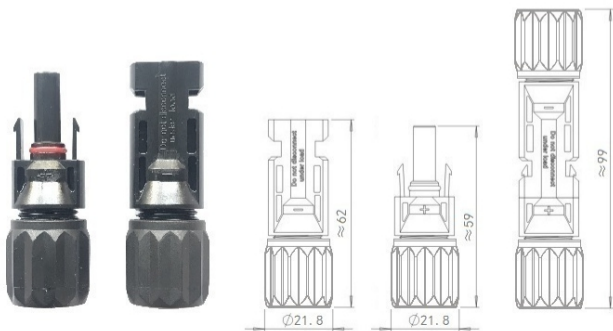
CN4(30A), CN4-1(50A) 1500V DC



CN01(30A), CN01-1(50A) 1500V DC



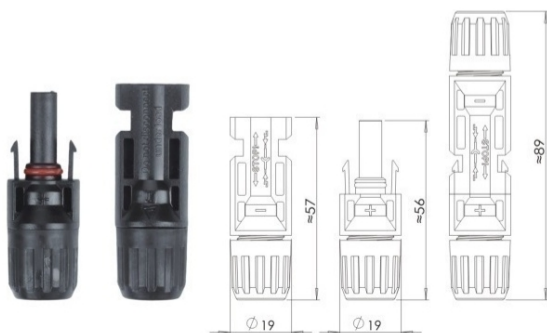
CM4(30A), CM4-1(50A) 1000V DC



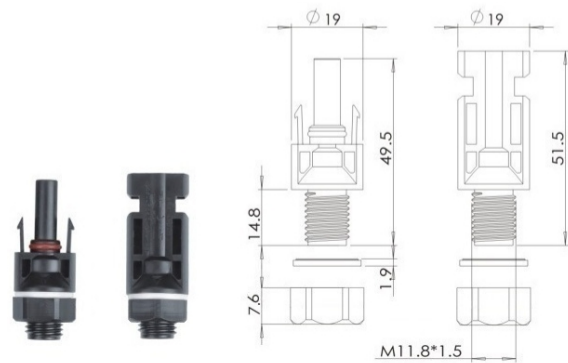
CM4-2(30/50A) 1000V DC



CM2(30A), CM2-1(50A) 1000V DC



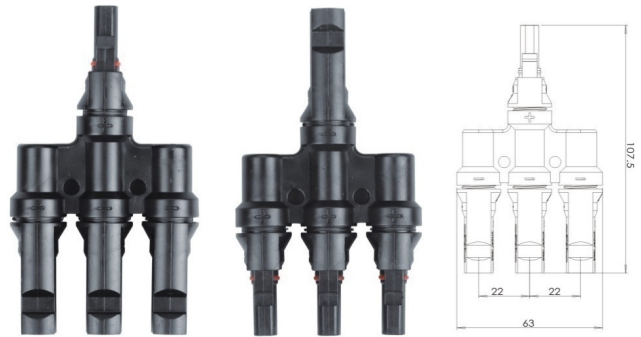
CM3(30A), CM3-1(50/60A) 1000V DC



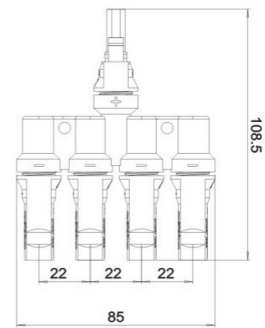
CM01(30A), CM01-1/2(30/50A) 1000V DC



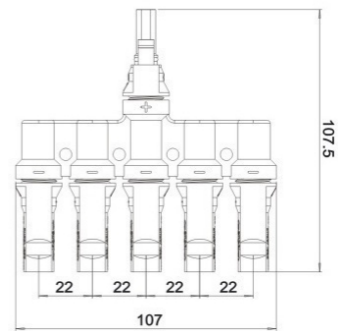
C4-2(50A) 1500V DC



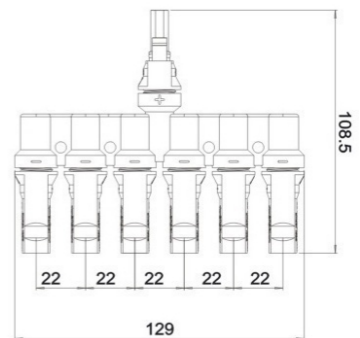
C4-3(50A) 1500V DC



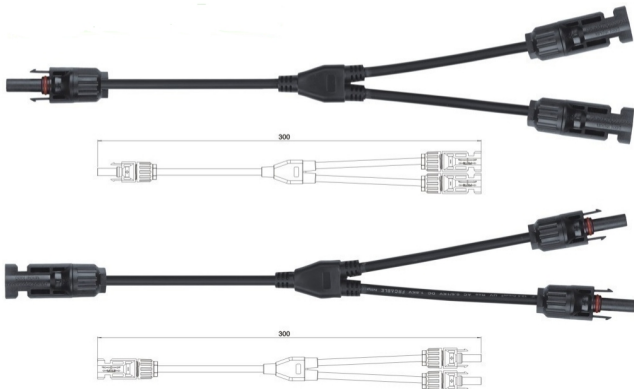
C4-4(50A) 1500V DC



C4-5(50A) 1500V DC



C4-6(50A) 1500V DC



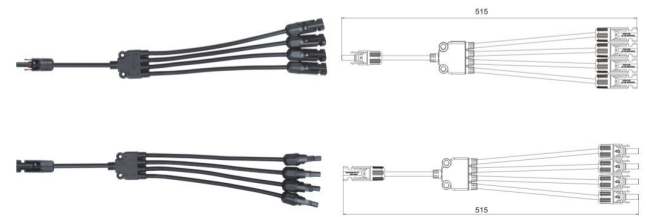
CY2(30A) 4mm 1000V DC



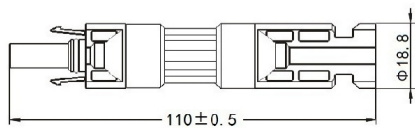
CY2-1(30A) 6mm 1500V DC



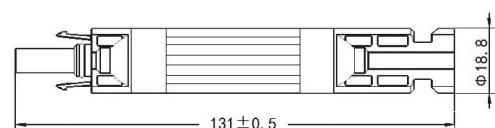
CY3(30A) 4mm 1000V DC



CY4(30A) 4mm 1000V DC



CME01(10/15/20A) 1000V DC



CMB01(10/15/20/30A) 1000V DC



C006 Spanner



Crimping Tool

Memo





Tel.: +86 13736381237

Fax: +86 577 62715772

E-mail: sales@siebengroup.com

[Http://www.itekniko.com](http://www.itekniko.com)

Rd. Liubai, Liushi Town, Wenzhou City, China 325604